



TECHNICAL DATA

Input Voltage: AC 120-277V
 Frequency: 50/60Hz
 Output Current: 10A Max at 120VAC
 10A Max at 277VAC
 Sinking Current: 48.5mA
 Motor: 1/4 HP @ 120VAC

Bluetooth Transmit: 100ft Max
 Radio Frequency: 2.4GHz ± 75MHz
 Bluetooth Version: 5.0
 Housing Material: UL 94-5VA
 Indoor Use Only
 Operating Temperature: 0°C to 55°C,
 32°F to 131°F
 Storage Temperature: -30°C to 85°C,
 -22°F to 185°F
 IP Rating: IP20
 Color: White

Complies to UL8750, RoHS
 Safety: cULus Recognized Component

DESCRIPTIONS

The BMS-L107D-PIR-1-BLE-KL-CM-B1 is a line-voltage, Bluetooth dual-tech occupancy sensor that combines PIR and ultrasonic technologies to provide high accuracy and wide coverage. It also features integrated daylight harvesting. The sensors can be configured on the BlueMesh app to keep lighting on after detection and keep lighting on if either the PIR or ultrasonic detects motion in the environment.

FEATURES

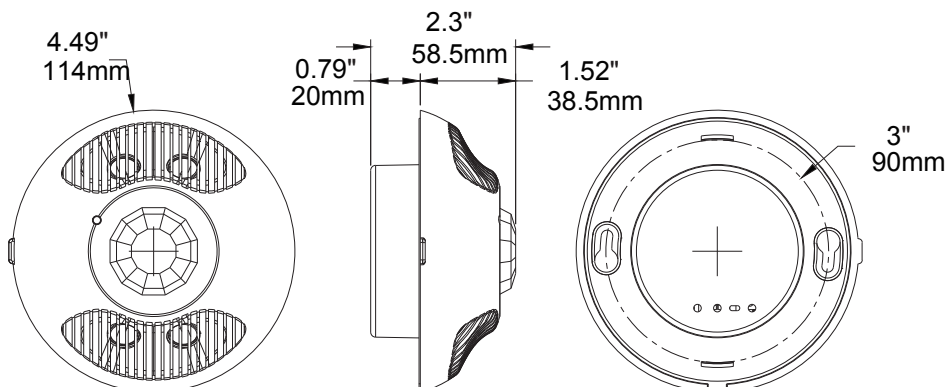
- 120-277VAC input
- 600 sq ft room coverage
- Daylight Harvesting
- Dual-tech PIR + Ultrasonic technology provides high accuracy and wide coverage
- Wireless Bluetooth connection to other BlueMesh devices

ORDERING INFORMATION

Model No.	Description
BMS-L107D-PIR-1-BLE-KL-CM-B1	Line Voltage Dual-Tech Ceiling Sensor

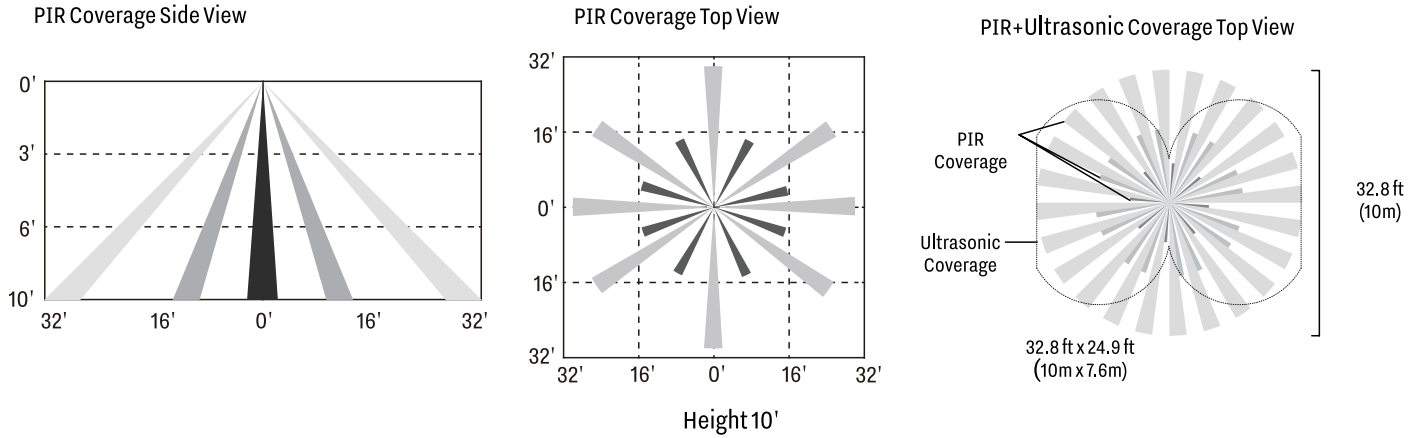
PHYSICAL DIMENSIONS

Unit:inch/mm

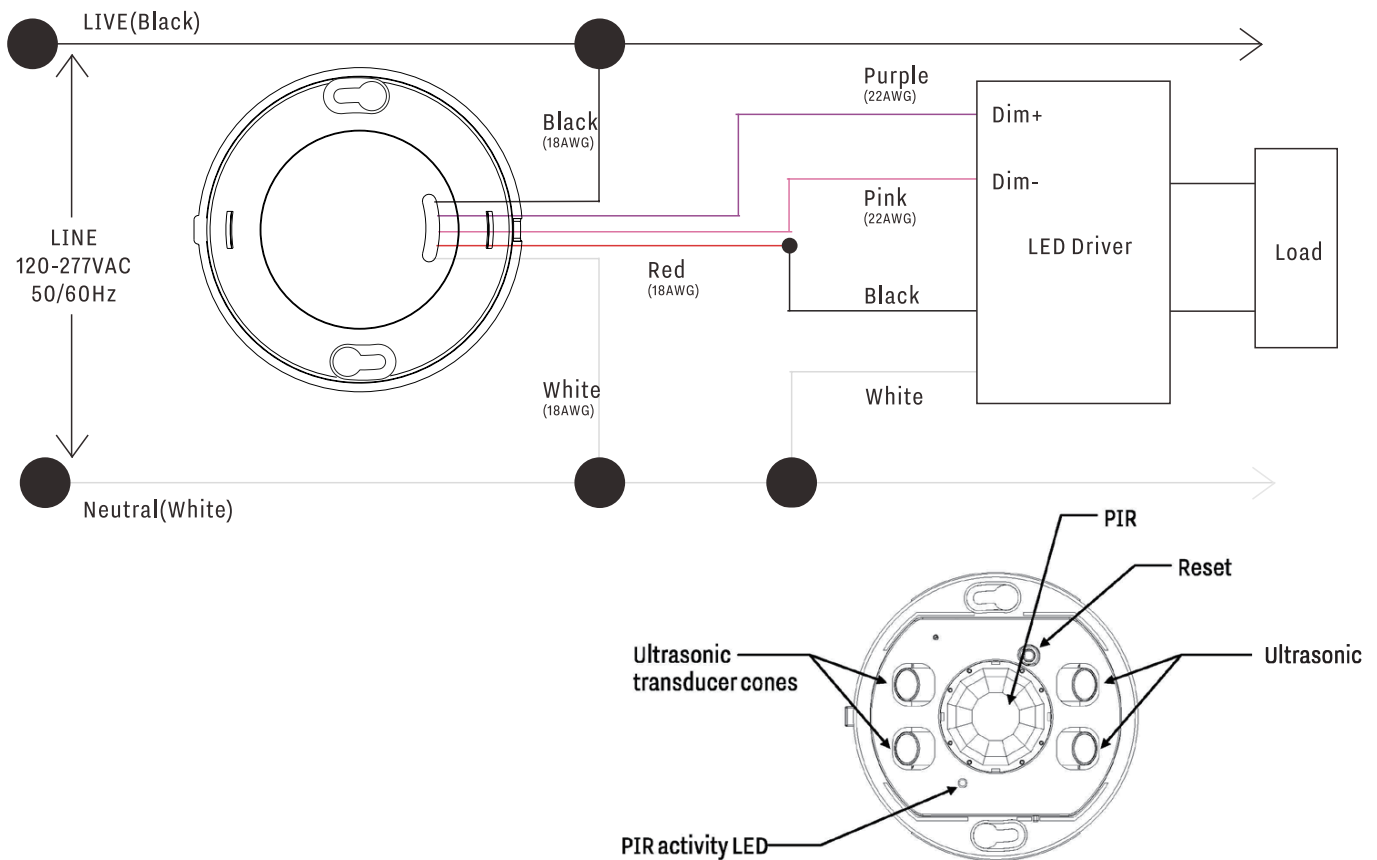


DETECTION AREA

Unit: inch/mm



WIRING DIAGRAM



WARRANTY

Five year limited warranty.

Specifications subject to change without notice.